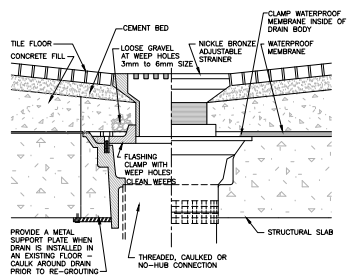
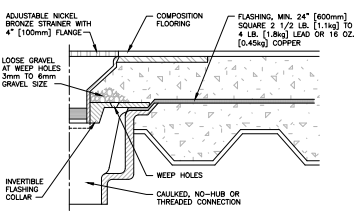


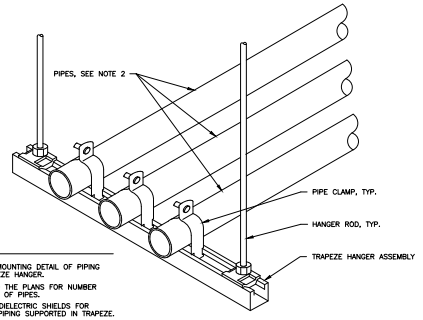
A  
THREE INCHES = ONE FOOT  
B  
ONE AND ONE-HALF INCHES = ONE FOOT  
C  
ONE INCH = ONE FOOT  
D  
THREE-QUARTERS INCH = ONE FOOT  
E  
ONE-HALF INCH = ONE FOOT  
F  
THREE-EIGHTHS INCH = ONE FOOT  
G  
ONE-FOURTH INCH = ONE FOOT



**TYPE 'C' FLOOR DRAIN DETAIL**  
P-108 | P-105 NOT TO SCALE

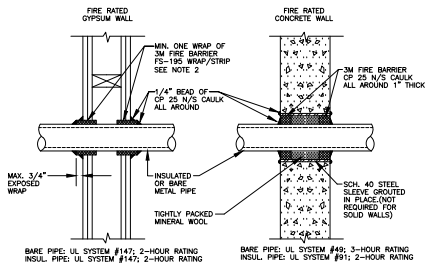


**TYPE 'D' FLOOR DRAIN DETAIL**  
P-108 | P-105 NOT TO SCALE



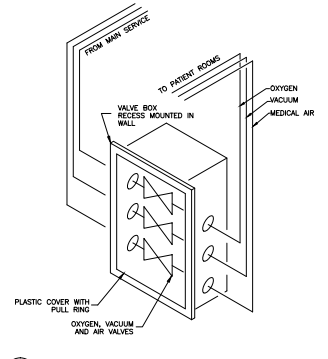
**PIPE HANGER DETAIL**  
P-108 | P-107 NOT TO SCALE

- NOTES:
1. TYPICAL MOUNTING DETAIL OF PIPING ON TRAPEZE HANGER.
  2. REFER TO THE PLANS FOR NUMBER AND SIZE OF PIPES.
  3. PROVIDE DIELECTRIC SHIELDS FOR COPPER PIPING SUPPORTED IN TRAPEZE.
  4. SEE SEISMIC NOTES FOR ADDITIONAL BRACING REQUIREMENTS.



**FIRE RATED WALL PENETRATION DETAIL**  
P-108 | P-108 NOT TO SCALE

- NOTES:
1. EQUIVALENT FIRESTOPPING COMPOUNDS BY NELSON SHALL BE ACCEPTABLE.
  2. DISTANCE BETWEEN WRAP/STRIPS AND WALL OPENING SHALL BE LESS THAN 1/4". INSTALL ADDITIONAL WRAP/STRIPS AS NECESSARY. SECURE WITH ALUMINUM FOIL TAPE.
  3. MAXIMUM DISTANCE BETWEEN PIPE/INSULATION AND WALL OPENING IS 2".



**MEDICAL GAS ZONE VALVE ASSEMBLY**  
P-108 | P-107 NOT TO SCALE

100% SUBMITTAL  
BID SET - CONSTRUCTION DOCUMENTS  
DATE: DECEMBER, 21 2012

BID SET - 100% CONSTRUCTION DOCUMENTS  
FULLY SPRINKLERED

BY	REVISIONS	DATE



**CONFIDENTIAL** THESE DRAWINGS MUST BE RETURNED TO FACILITIES MANAGEMENT SERVICE, PROJECT SECTION, UPON COMPLETION, OR FINAL USE BY THE CONTRACTOR FOR BIDDING PURPOSES.

**ASBESTOS WARNING:** ASBESTOS CONTAINING BUILDING MATERIALS (ACBM) ARE PRESENT THROUGHOUT THE FACILITY. IF CONTRACTORS FIND ACBM, OR SUSPECT FINDING ACBM, THEY SHALL IMMEDIATELY STOP WORK AND CONTACT THE PROJECT COTR.

**SCALING NOTES:** FULL SIZE V.A. "T" SHEETS (SCALE AS INDICATED) AND HALF SIZE V.A. "D" SHEETS (THE SCALE INDICATED LETTER SIZE DRAWINGS ARE NOT TO SCALE).

**GENERAL NOTE:** CONTRACTORS AND ARCHITECT/ENGINEERING FIRMS ARE RESPONSIBLE FOR THE FIELD VERIFICATION OF ALL EXISTING CONDITIONS.

Project Title  
**RENOVATE  
WARD 5 EAST**

Drawing Title <b>FOURTH &amp; FIFTH FLOORS - WARD EAST PLUMBING DETAILS</b>	Date 12/21/12
Building Number 47	Project No. 637-11-119
Checked TMF	Drawn TFL
Location ASHEVILLE, NC	DRAWING NO. P108 Dwg 64 OF 78

