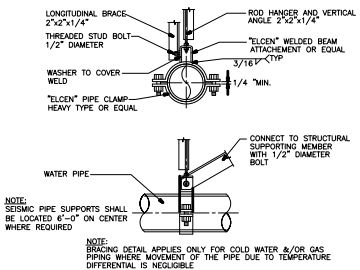
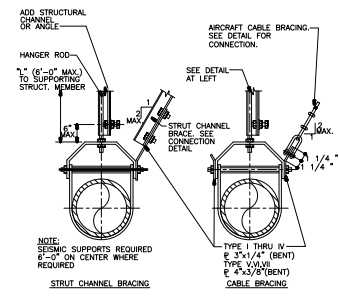


GENERAL NOTES - THIS SHEET

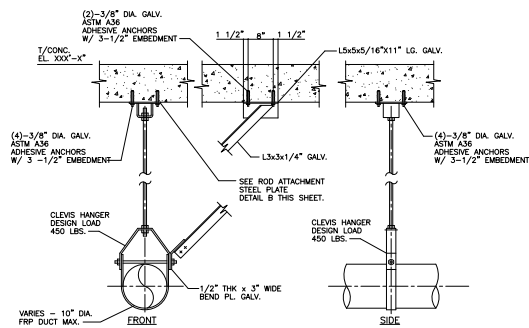
1. FOR GENERAL NOTES AND LEGEND SEE SHEET M001.



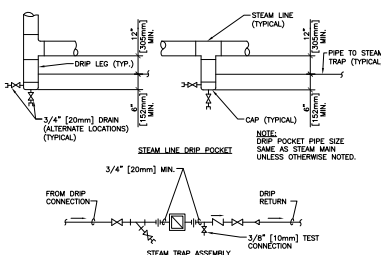
DETAIL-TYPICAL LONGITUDINAL SEISMIC PIPE BRACING
SCALE: NOT TO SCALE



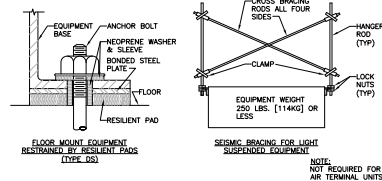
DETAIL-SEISMIC PIPE BRACING
SCALE: NOT TO SCALE



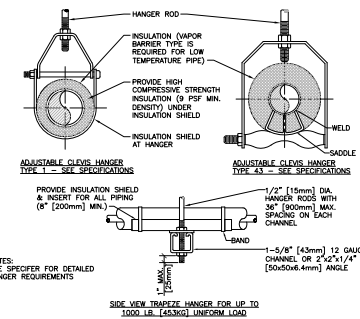
DETAIL-DUCT HANGERS
SCALE: NOT TO SCALE



DETAIL-STEAM TRAP ASSEMBLIES
SCALE: NOT TO SCALE



DETAIL-SEISMIC BRACING FOR EQUIPMENT
SCALE: NOT TO SCALE

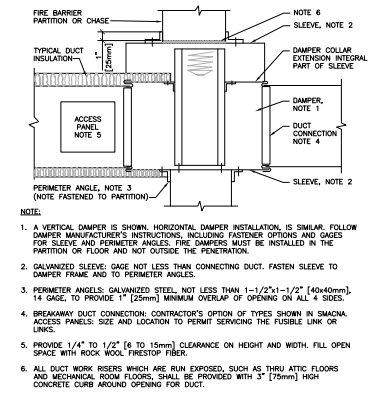


DETAIL-PIPE HANGERS
SCALE: NOT TO SCALE

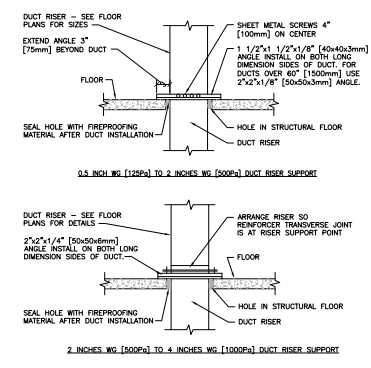
MAXIMUM PIPE/TUBING SUPPORT SPACING

NOM. SIZE IN. (mm)	THRU 3/4 (19.0)	1 (25.4)	1 1/4 (31.8)	1 1/2 (38.1)	2 (50.8)	2 1/2 (63.5)	3 (76.2)	4 (101.6)	5 (127.0)	6 (152.4)	8 (203.2)	10 (254.0)	12 (304.8)	14 (355.6)	16 (406.4)	18 (457.2)	20 (508.0)	24 (609.6)
PIPE FT. (mm)	(200)	(210)	(220)	(230)	(240)	(250)	(260)	(270)	(280)	(290)	(300)	(310)	(320)	(330)	(340)	(350)	(360)	(370)
TUBING FT. (mm)	(100)	(110)	(120)	(130)	(140)	(150)	(160)	(170)	(180)	(190)	(200)	(210)	(220)	(230)	(240)	(250)	(260)	(270)

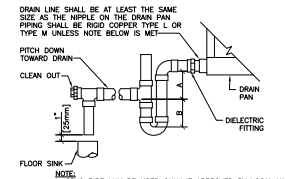
NOTE: FOR TRAPEZOIDAL HANGER TAKE SPACING OF SMALLEST SIZE ON TRAPEZOID.



DETAIL-FIRE DAMPER INSTALLATION
SCALE: NOT TO SCALE



DETAIL-DUCT RISER SUPPORTS
SCALE: NOT TO SCALE



DETAIL-AHU DRAIN TRAP
SCALE: NOT TO SCALE

- NOTE:
- A VERTICAL DAMPER IS SHOWN, HORIZONTAL DAMPER INSTALLATION IS SIMILAR. FOLLOW DAMPER MANUFACTURER'S INSTRUCTIONS, INCLUDING FASTENER OPTIONS AND GAGES FOR SLEEVE AND PERIMETER ANGLES. FIRE DAMPERS MUST BE INSTALLED IN THE PARTITION OR FLOOR AND NOT OUTSIDE THE PENETRATION.
 - GALVANIZED SLEEVE: GAGE NOT LESS THAN CONNECTING DUCT. FASTEN SLEEVE TO DAMPER FRAME AND TO PERIMETER ANGLES.
 - PERIMETER ANGLES: GALVANIZED STEEL, NOT LESS THAN 1-1/2"x1-1/2" (40x40mm), 14 GAGE, TO PROVIDE 1" (25mm) MINIMUM OVERLAP OF OPENING ON ALL 4 SIDES.
 - BREAKAWAY DUCT CONNECTION: CONTRACTOR'S OPTION OF TYPES SHOWN IN SHOWN. ACCESS PANELS: SIZE AND LOCATION TO PERMIT SERVING THE FLEXIBLE LINE OR LINKS.
 - PROVIDE 1/4" TO 1/2" (6 TO 13mm) CLEARANCE ON HEIGHT AND WIDTH. FILL OPEN SPACE WITH ROCK WOOL FIRESTOP FIBER.
 - ALL DUCT WORK RISERS WHICH ARE RUN EXPOSED, SUCH AS THRU ATTIC FLOORS AND MECHANICAL ROOM FLOORS, SHALL BE PROVIDED WITH A 3" (75mm) HIGH CONCRETE CURB AROUND OPENING FOR DUCT.

UNIT TYPE A B

DRAW THRU	2" (50mm) PLUS X	X
BLOW THRU	1" (25mm) MINIMUM	2X

WHERE X = STATIC PRESSURE IN PAN

100% SUBMITTAL
BID SET - CONSTRUCTION DOCUMENTS
DATE: DECEMBER, 21 2012

BID SET - 100% CONSTRUCTION DOCUMENTS

FULLY SPRINKLERED

BY: _____ REVISIONS: _____ DATE: _____



CONFIDENTIAL: THESE DRAWINGS MUST BE RETURNED TO FACILITIES MANAGEMENT SERVICE, PROJECT SECTION, UPON COMPLETION, OR FINAL USE BY THE CONTRACTOR FOR BIDDING PURPOSES.

ASBESTOS WARNING: ASBESTOS CONTAINING BUILDING MATERIALS (ACBM) ARE PRESENT THROUGHOUT THE FACILITY. IF CONTRACTORS FIND ACBM, OR SUSPECT FINDING ACBM, THEY SHALL IMMEDIATELY STOP WORK AND CONTACT THE PROJECT COTR.

SCALE: NOT TO SCALE.

GENERAL NOTE: CONTRACTORS AND ARCHITECT/ENGINEERING FIRMS ARE RESPONSIBLE FOR THE FIELD VERIFICATION OF ALL EXISTING CONDITIONS.

Project Title
**RENOVATE
WARD 5 EAST**

Drawing Title
FIFTH FLOOR - WARD EAST

Date
12/21/12

Project No.
637-11-119

Building Number
47

Checked
TMF

Drawn
CMH

Location
ASHEVILLE, NC

DRAWING NO.
M109

Dwg 55 of 78