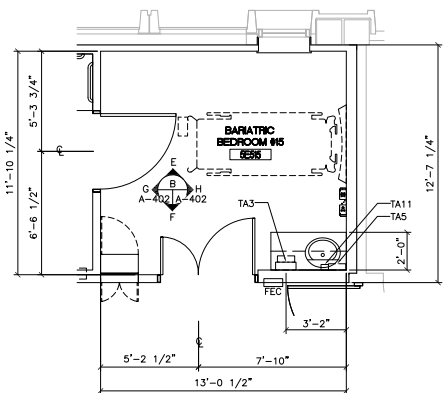
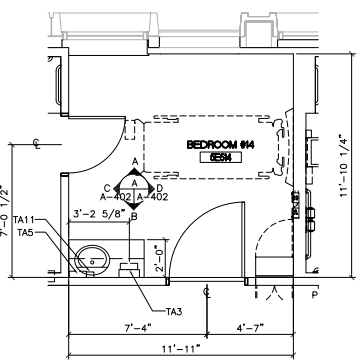
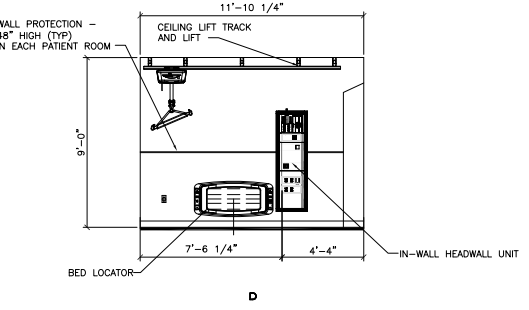
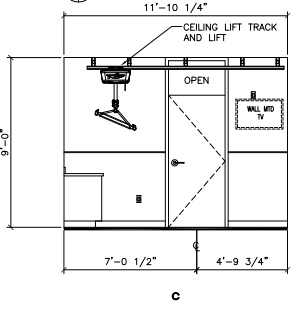
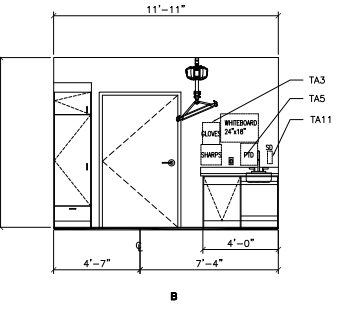
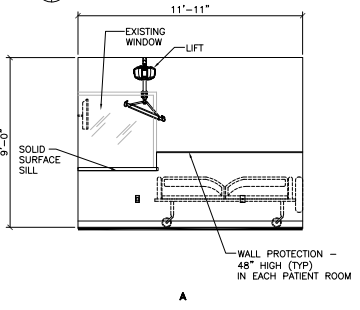


TOILET ACCESSORY LEGEND:	
TA1	PAPER TOWEL DISPENSER (NIC)
TA2	BED PAN CABINET
TA3	GLOVE DISPENSER AND HOLDERS (NIC)
TA4	TOILET TISSUE DISPENSER (CC)
TA5	GRAB BARS (CC)
TA6	SANITARY NAPKIN DISPOSAL (CC)
TA7	LINER LAVATORY GUARD (CC)
TA8	CLOTHES HOOKS, ROBE OR COAT (CC)
TA9	METAL FRAMED MIRROR (CC)
TA10	MOP RACKS, TYPE 10 (CC)
TA11	SOAP DISPENSER (NIC)
NC	NURSE CALL
CT	CURTAIN TRACK



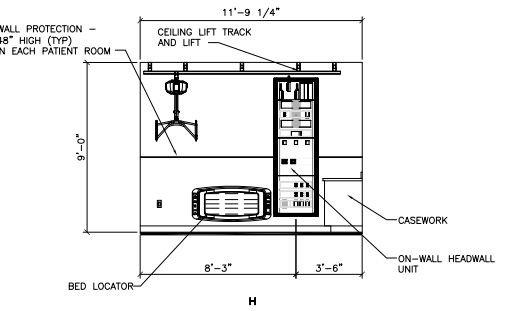
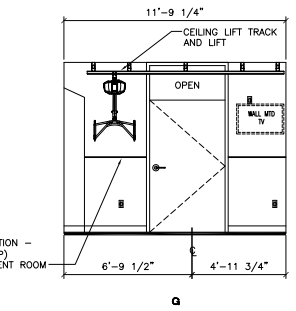
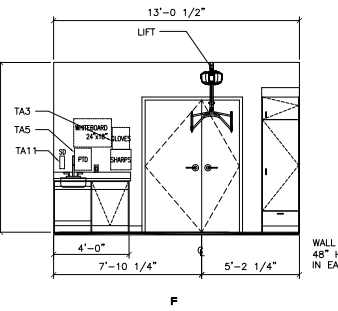
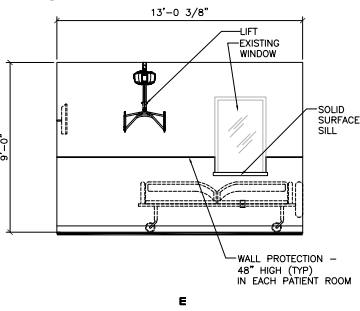
1 ENLARGED PLAN - BEDROOM #14 - 5E514
SCALE: 3/8" = 1'-0"

2 ENLARGED PLAN - BARIATRIC BEDROOM #15 - 5E515
SCALE: 3/8" = 1'-0"

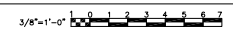


A INTERIOR ELEVATIONS - BEDROOM #14 - 5E514
SCALE: 3/8" = 1'-0"

3 INTERIOR ELEVATIONS - BARIATRIC BEDROOM #15 - 5E515
SCALE: 3/8" = 1'-0"



B INTERIOR ELEVATIONS - BARIATRIC BEDROOM #15 - 5E515
SCALE: 3/8" = 1'-0"



BID SET - 100% CONSTRUCTION DOCUMENTS

100% SUBMITTAL
BID SET -
CONSTRUCTION
DOCUMENTS
DATE: DECEMBER, 21 2012

BY	REVISIONS	DATE

LINDBERGH & ASSOCIATES, LLC
2170 Ashley Phosphate Road - Suite 304
Charleston, South Carolina, 29406
Phone: (843)553-6670 Fax: (843)553-0755



CONFIDENTIAL THESE DRAWINGS MUST BE RETURNED TO FACILITIES MANAGEMENT SERVICE, PROJECT SECTION, UPON COMPLETION, OR FINAL USE BY THE CONTRACTOR FOR BOOKING PURPOSES.

ASBESTOS WARNING: ASBESTOS CONTAINING BUILDING MATERIALS (ACBM) ARE PRESENT THROUGHOUT THE FACILITY. IF CONTRACTORS FIND ACBM, OR SUSPECT FINDING ACBM, THEY SHALL IMMEDIATELY STOP WORK AND CONTACT THE PROJECT COR.

SCALING NOTES: FULL SIZE V.A. "T" SHEETS (SCALE AS INDICATED) AND HALF SIZE V.A. "D" SHEETS (@ THE SCALE INDICATED LETTER SIZE DRAWINGS ARE NOT TO SCALE.

GENERAL NOTE: CONTRACTORS AND ARCHITECT/ENGINEERING FIRMS ARE RESPONSIBLE FOR THE FIELD VERIFICATION OF ALL EXISTING CONDITIONS.

Project Title
**RENOVATE
WARD 5 EAST**

Building Number 47	Checked JSA	Drawn PFF	Date 12/21/12
Location ASHEVILLE, NC			Project No. 637-11-119
Drawing No. A-402			Dwg 28 of 78

FULLY SPRINKLERED

Office of Facilities

Department of Veterans Affairs